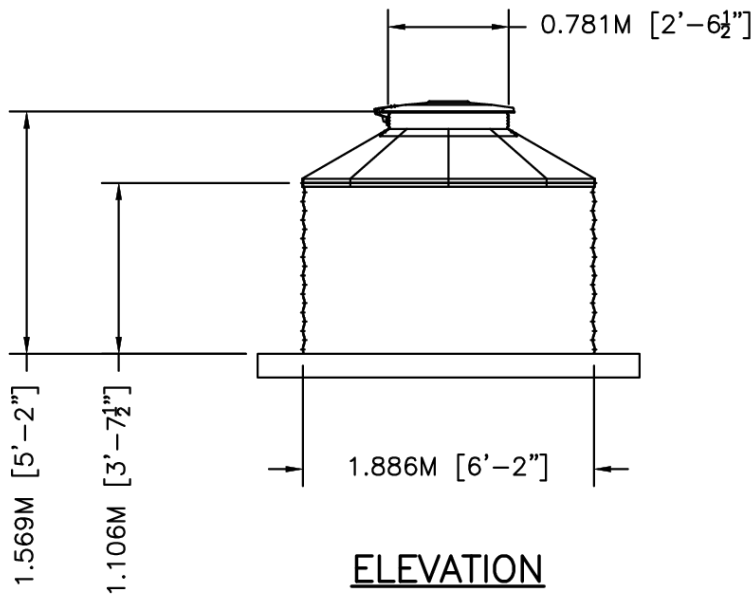



PLAN



ELEVATION

		BY	DATE	TITLE	
	DWN	XXX	XX/XX/XX	WTU02-01 30"PR 30DEG FLAT PANEL	
	CKD			NOMINAL CAPACITY - 2.733 M3 [722 GAL]	
	ENG			DWG. NO. SCT601-FP WTU02-01	REV. NO.
				SIZE: A	SCALE: 1/4"=1'-0"
					SHEET 1 OF 1